

GF Series GelGoat Filter



Jiangmen Topguy Electromechanical Equipment Co.,Ltd

GF Series GelGoat Filter

GF Series Gelcoat



By Topguy

Gelcoat filter tank with its durable, reliable performance, smooth fiberglass coating and welcomed by the industry.

Due to the use of anti-ultraviolet materials, can be extended in the Sun for many years of service life.

"Gf" series mounting strainer with six-position (2 inch) or eight-position (1.5 inch) multi-channel valve mounted on top or side.



**6-way or 8-way
multi-channel top or
side Mount Valve**



Bolt type valve



**Non corrosive gelcoat
fiberglass tank**



Smooth finish

Different appearance



*GF Serise Gel-Coat Sand
Filters with color matching*

*Note: Suggested sand weight
varies with
differences in filter media size
for reference only*



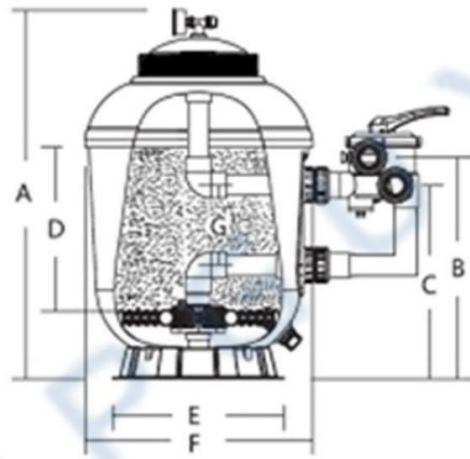
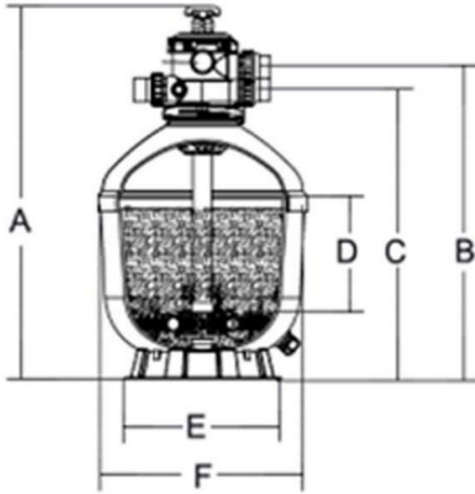
Technical Information

MODEL NO	Filter Area (m ²)	Valve Connections	Max Flow Rate	Sand (kg)
TGF/SGF-500	0.2	1.5inch 50mm	167lpm 12.0m ³ /h	88
TGF/SGF-650	0.33	1.5inch 50mm	275lpm 17.5m ³ /h	158
TGF/SGF-750	0.44	2.0inch 63mm	366lpm 22.0m ³ /h	260
TGF/SGF-900	0.64	2.0inch 63mm	533lpm 32.0m ³ /h	422

Product Dimension

Waterpark Apuarlum /Competition Pool

Residential Pool/Commercial Pool/Treatment pool/Water



Model No	A mm	B mm	C mm	D mm	E mm	F mm	G mm	NW KG	GW KG	Packing mm
TGF-500	950	815	750	300	425	500	150	8.55	11.4	55*55*72
TGF-650	1085	950	885	400	560	650	150	15.5	19.95	68*68*85.5
TGF-750	1160	1015	940	540	560	750	200	24.5	30.2	78*78*105
TGF-900	1300	1155	1080	620	700	900	200	30.5	39.35	92*92*105
SGF-500	785	445	380	370	425	500	150	10.2	13.05	55*55*72
SGF-650	900	480	415	400	560	650	150	17.15	21.6	68*68*85.5
SGF-750	940	670	595	540	560	750	200	26.9	32.6	78*78*105
SGF-900	1100	795	720	620	700	900	200	32.9	41.75	92*92*105

