

Pool Surrounding Equipment

SUPERIOR CORROSION RESISTANCE

Material

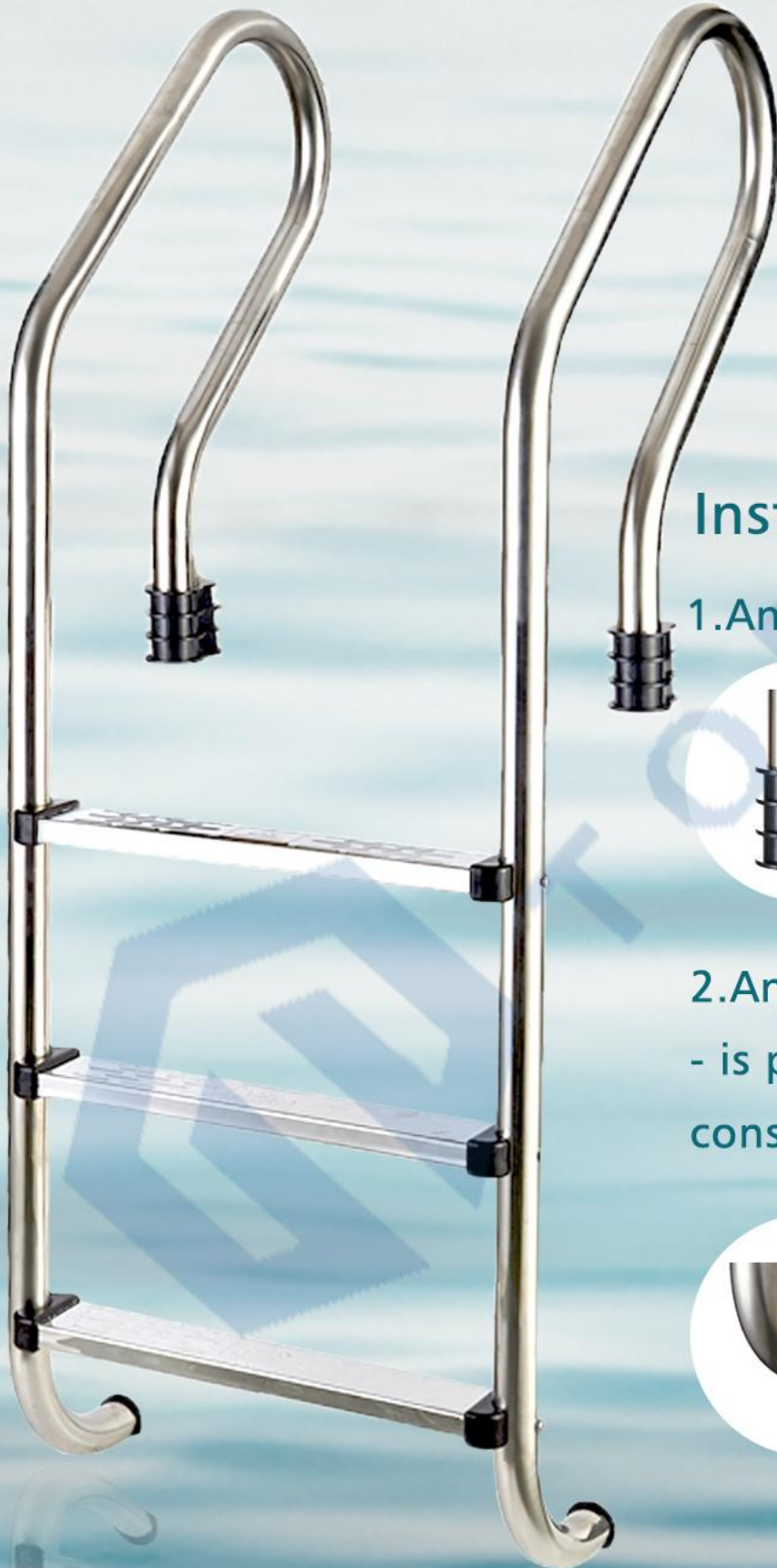
Polished Stainless Steel 304 or 316



Pool & Spa Equipment

Pool Ladders

Stainless Steel 304 or 316 ($\phi 42\text{mm}$) tubes with a polished finish



Installation Options :

1. Anchor Type



2. Ancillary Shoring

- is provided with a supporting construction on the wall.



Step Options

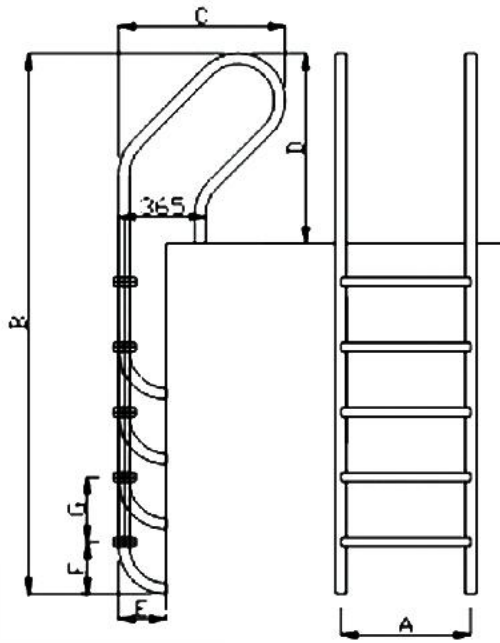
- Stainless Steel
- Stainless Steel (with anti-slip pad)
- Plastic



Robust Steel Arms of Pools

Quality ladders provide safety and ease for your pool

- Ladder handrails are made of $\phi 42\text{mm}$ tubes in polished stainless steel 304 (or 316 for saltwater pools).
- Correct selection and proper placement of handrails and ladders add a significant measure of safety to every pool area.
- Three kinds of step are available: Plastic, stainless steel, and stainless steel with anti-slip pads.
- All ladders are available with anchor type fixtures for easy installation.



SF SERIES LADDER

With polished stainless steel pipe ($\phi 42\text{mm}$), this ladder is specially designed for overflow pool with attractive appearance. Easily installed with anchoring fixtures. Rails and steps in both AISI-304 or AISI-316 available.

Anchor Type Stainless steel step

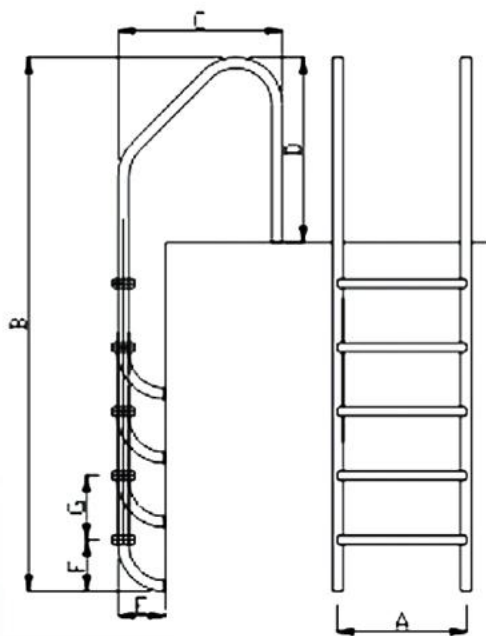
Code(AISI-304)	Code(AISI-316)	Model	A(mm)	B(mm)	C(mm)	D(mm)	E(mm)	F(mm)	G(mm)	H(mm)
88072401	88072406	SF215-S	540	1330	580	690	180	200	250	610
88072402	88072407	SF315-S	540	1580	580	690	180	200	250	610
88072403	88072408	SF415-S	540	1830	580	690	180	200	250	610
88072404	88072409	SF515-S	540	2080	580	690	180	200	250	610

Anchor Type Stainless steel step (Anti-Slippery Pad)

Code(AISI-304)	Code(AISI-316)	Model	A(mm)	B(mm)	C(mm)	D(mm)	E(mm)	F(mm)	G(mm)	H(mm)
88076701	88076706	SF215-SR	540	1330	580	690	180	200	250	610
88076702	88076707	SF315-SR	540	1580	580	690	180	200	250	610
88076703	88076708	SF415-SR	540	1830	580	690	180	200	250	610
88076704	88076709	SF515-SR	540	2080	580	690	180	200	250	610

Plastic step

Code(AISI-304)	Code(AISI-316)	Model	A(mm)	B(mm)	C(mm)	D(mm)	E(mm)	F(mm)	G(mm)	H(mm)
88072501	88072506	SF215-P	540	1330	580	690	180	200	250	610
88072502	88072507	SF315-P	540	1580	580	690	180	200	250	610
88072503	88072508	SF415-P	540	1830	580	690	180	200	250	610
88072504	88072509	SF515-P	540	2080	580	690	180	200	250	610



SL SERIES LADDER

With polished stainless steel pipe ($\phi 42\text{mm}$), this ladder is specially designed for overflow pool with attractive appearance. Easily installed with anchoring fixtures. Rails and steps in both AISI-304 or AISI-316 available.

Anchor Type Stainless steel step

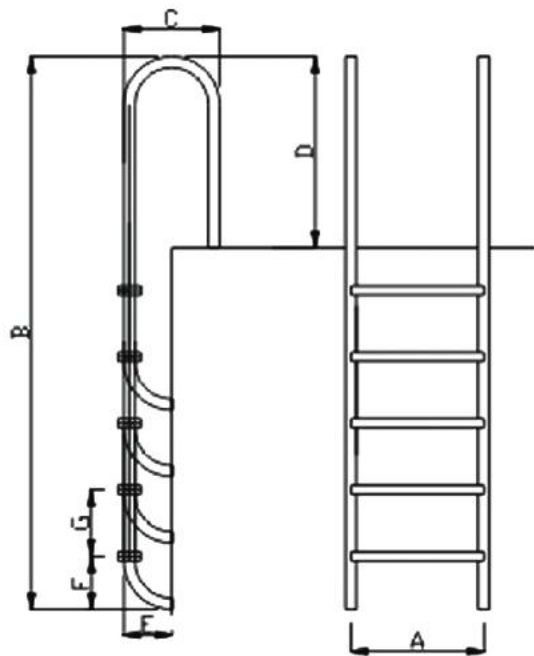
Code(AISI-304)	Code(AISI-316)	Model	A(mm)	B(mm)	C(mm)	D(mm)	E(mm)	F(mm)	G(mm)	H(mm)
88072601	88072606	SL215-S	540	1330	610	700	180	200	250	620
88072602	88072607	SL315-S	540	1580	610	700	180	200	250	620
88072603	88072608	SL415-S	540	1830	610	700	180	200	250	620
88072604	88072609	SL515-S	540	2080	610	700	180	200	250	620

Anchor Type Stainless steel step (Anti-Slippery Pad)

Code(AISI-304)	Code(AISI-316)	Model	A(mm)	B(mm)	C(mm)	D(mm)	E(mm)	F(mm)	G(mm)	H(mm)
88076501	88076506	SL215-SR	540	1330	610	700	180	200	250	620
88076502	88076507	SL315-SR	540	1580	610	700	180	200	250	620
88076503	88076508	SL415-SR	540	1830	610	700	180	200	250	620
88076504	88076509	SL515-SR	540	2080	610	700	180	200	250	620

Plastic step

Code(AISI-304)	Code(AISI-316)	Model	A(mm)	B(mm)	C(mm)	D(mm)	E(mm)	F(mm)	G(mm)	H(mm)
88072701	88072706	SL215-P	540	1330	610	700	180	200	250	620
88072702	88072707	SL315-P	540	1580	610	700	180	200	250	620
88072703	88072708	SL415-P	540	1830	610	700	180	200	250	620
88072704	88072709	SL515-P	540	2080	610	700	180	200	250	620



MU SERIES LADDER

With polished stainless steel pipe ($\phi 42\text{mm}$), this ladder is specially designed for overflow pool with attractive appearance. Easily installed with anchoring fixtures. Rails and steps in both AISI-304 or AISI-316 available.

Anchor Type Stainless steel step

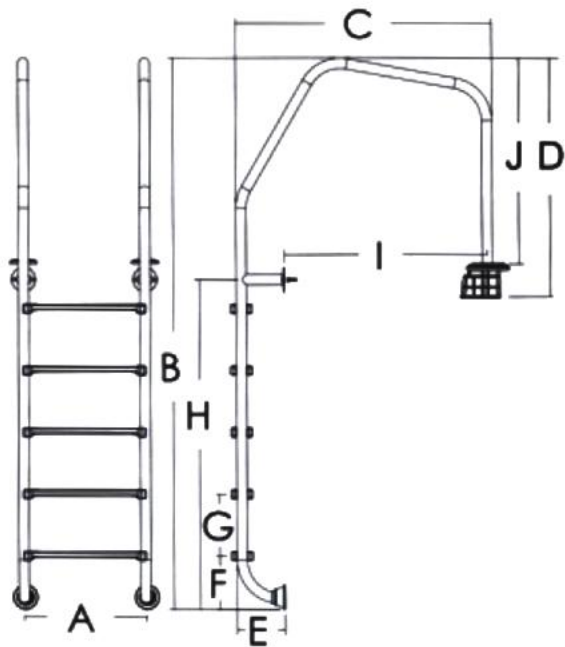
Code(AISI-304)	Code(AISI-316)	Model	A(mm)	B(mm)	C(mm)	D(mm)	E(mm)	F(mm)	G(mm)	H(mm)
88072801	88072806	MU215-S	540	1330	330	640	180	200	250	560
88072802	88072807	MU315-S	540	1580	330	640	180	200	250	560
88072803	88072808	MU415-S	540	1830	330	640	180	200	250	560
88072804	88072809	MU515-S	540	2080	330	640	180	200	250	560

Anchor Type Stainless steel step (Anti-Slippery Pad)

Code(AISI-304)	Code(AISI-316)	Model	A(mm)	B(mm)	C(mm)	D(mm)	E(mm)	F(mm)	G(mm)	H(mm)
88076801	88076806	MU215-SR	540	1330	330	640	180	200	250	560
88076802	88076807	MU315-SR	540	1580	330	640	180	200	250	560
88076803	88076808	MU415-SR	540	1830	330	640	180	200	250	560
88076804	88076809	MU515-SR	540	2080	330	640	180	200	250	560

Plastic step

Code(AISI-304)	Code(AISI-316)	Model	A(mm)	B(mm)	C(mm)	D(mm)	E(mm)	F(mm)	G(mm)	H(mm)
88072901	88072906	MU215-P	540	1330	330	640	180	200	250	560
88072902	88072907	MU315-P	540	1330	330	640	180	200	250	560
88072903	88072908	MU415-P	540	1330	330	640	180	200	250	560
88072904	88072909	MU515-P	540	1330	330	640	180	200	250	560



OF SERIES LADDER

With polished stainless steel pipe ($\phi 42\text{mm}$), this ladder is specially designed for overflow pool with attractive appearance. Easily installed with anchoring or flange fixtures. Rails and steps in both AISI-304 or AISI-316 available.

Anchor Type Stainless steel step

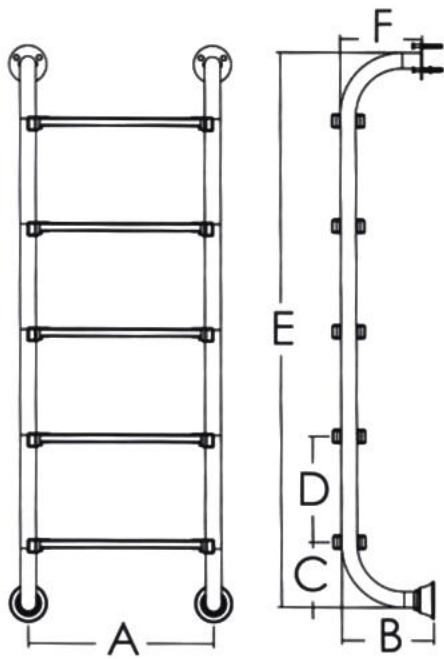
Code (AISI-304)	Code (AISI-316)	Model	A (mm)	B (mm)	C (mm)	D (mm)	E (mm)	F (mm)	G (mm)	H (mm)	I (mm)	J (mm)
88073201	88073206	OF215-S	540	1460	1042	830	180	200	250	561	831	750
88073202	88073207	OF315-S	540	1710	1042	830	180	200	250	811	831	750
88073203	88073208	OF415-S	540	1960	1042	830	180	200	250	1061	831	750
88073204	88073209	OF515-S	540	2210	1042	830	180	200	250	1311	831	750

Anchor Type Stainless steel step (Anti-Slippery Pad)

Code (AISI-304)	Code (AISI-316)	Model	A (mm)	B (mm)	C (mm)	D (mm)	E (mm)	F (mm)	G (mm)	H (mm)	I (mm)	J (mm)
88076801	88076806	OF215-SR	540	1460	1042	830	190	200	250	561	831	750
88076802	88076807	OF315-SR	540	1710	1042	830	190	200	250	811	831	750
88076803	88076808	OF415-SR	540	1960	1042	830	190	200	250	1061	831	750
88076804	88076809	OF515-SR	540	2210	1042	830	190	200	250	1311	831	750

Anchor Type Plastic step

Code (AISI-304)	Code (AISI-316)	Model	A (mm)	B (mm)	C (mm)	D (mm)	E (mm)	F (mm)	G (mm)	H (mm)	I (mm)	J (mm)
88073301	88073306	OF215-P	476	1460	1042	830	190	200	250	561	831	750
88073302	88073307	OF315-P	476	1710	1042	830	190	200	250	811	831	750
88073303	88073308	OF415-P	476	1960	1042	830	190	200	250	1061	831	750
88073304	88073309	OF515-P	476	2210	1042	830	190	200	250	1311	831	750



BHK SERIES LADDER

Polished AISI-304 or AISI-316 stainless (\varnothing 42mm) pipe. Both anchor and flange installations are available.

Stainless steel step

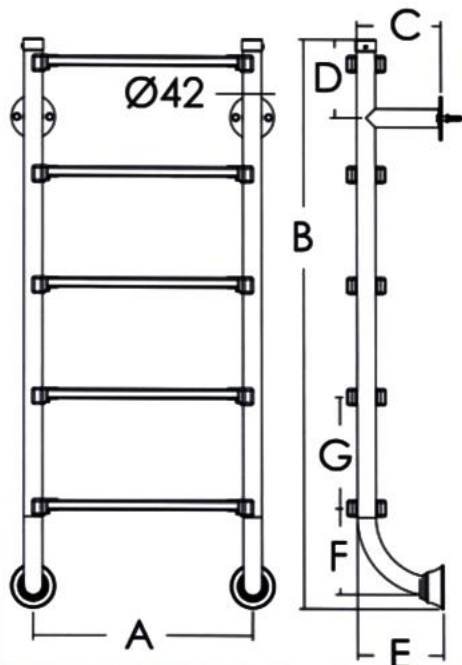
Code (AISI-304)	Code (AISI-316)	Model	A (mm)	B (mm)	C (mm)	D (mm)	E (mm)	F (mm)
88075001	88075006	BHK215-S	540	180	200	250	632	180
88075002	88075007	BHK315-S	540	180	200	250	912	180
88075003	88075008	BHK415-S	540	180	200	250	1192	180
88075004	88075009	BHK515-S	540	180	200	250	1472	180

Stainless steel step(Anti-slippery pad)

Code (AISI-304)	Code (AISI-316)	Model	A (mm)	B (mm)	C (mm)	D (mm)	E (mm)	F (mm)
88075101	88075106	BHK215-SR	540	180	200	250	632	180
88075102	88075107	BHK315-SR	540	180	200	250	912	180
88075103	88075108	BHK415-SR	540	180	200	250	1192	180
88075104	88075109	BHK515-SR	540	180	200	250	1472	180

Plastic step

Code (AISI-304)	Code (AISI-316)	Model	A (mm)	B (mm)	C (mm)	D (mm)	E (mm)	F (mm)
88075101	88075106	BHK215-P	540	180	200	250	632	180
88075102	88075107	BHK315-P	540	180	200	250	912	180
88075103	88075108	BHK415-P	540	180	200	250	1192	180
88075104	88075109	BHK515-P	540	180	200	250	1472	180



BHL SERIES LADDER

Polished AISI-304 or AISI-316 stainless (\varnothing 42mm) pipe. Both anchor and flange installations are available.

Stainless steel step

Code (AISI-304)	Code (AISI-316)	Model	A (mm)	B (mm)	C (mm)	D (mm)	E (mm)	F (mm)	G (mm)
88073901	88073906	BHL215-S	540	530	180	177	180	200	250
88073902	88073907	BHL315-S	540	780	180	177	180	200	250
88073903	88073908	BHL415-S	540	1030	180	177	180	200	250
88073904	88073909	BHL515-S	540	1280	180	177	180	200	250

Stainless steel step (Anti-Slippery Pad)

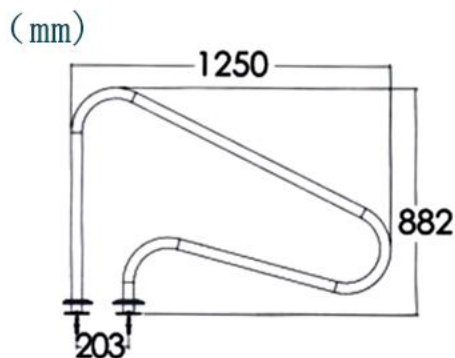
Code (AISI-304)	Code (AISI-316)	Model	A (mm)	B (mm)	C (mm)	D (mm)	E (mm)	F (mm)	G (mm)
88077101	88077106	BHL215-SR	540	530	180	177	180	200	250
88077102	88077107	BHL315-SR	540	780	180	177	180	200	250
88077103	88077108	BHL415-SR	540	1030	180	177	180	200	250
88077104	88077109	BHL515-SR	540	1280	180	177	180	200	250

Plastic step

Code (AISI-304)	Code (AISI-316)	Model	A (mm)	B (mm)	C (mm)	D (mm)	E (mm)	F (mm)	G (mm)
88073901	88073906	BHL215-P	540	530	180	177	180	200	250
88073902	88073907	BHL315-P	540	780	180	177	180	200	250
88073903	88073908	BHL415-P	540	1030	180	177	180	200	250
88073904	88073909	BHL515-P	540	1280	180	177	180	200	250

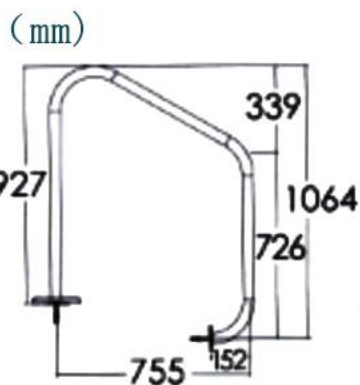
ARG/ARN/ARS SERIES LADDER

Polished AISI-304 or AISI-316 stainless (\varnothing 42mm) pipe. Both anchor and flange installations are available. Suitable for 4 steps or 5 steps of concrete step.



Anchor Type

ModelA	Description	Code
ARG	I-304 Exit Handr	88074505
ARG	I-316 Exit Handr	88074510



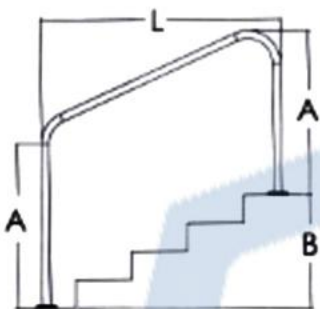
Flang Type

ModelA	Description	Code
ARG-F	I-304 Exit Handr	88074405
ARG-F	I-316 Exit Handr	88074410



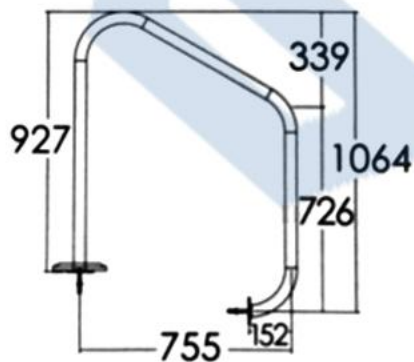
Anchor Type

Code (AISI-304)	Code (AISI-316)	Model	Description	L (mm)	A (mm)	B (mm)
88074703	88074708	ARN415	Handrail-4S	1220	800	608
88074704	88074709	ARN515	Handrail-5S	1524	800	608



Flang Type

Code (AISI-304)	Code (AISI-316)	Model	Description	L (mm)	A (mm)	B (mm)
88074603	88074608	ARN415-F	Handrail-4S	1220	800	608
88074604	88074609	ARN515-F	Handrail-5S	1524	800	608



Anchor Type

ModelA	Description	Code
ARS	AISI-304 Exit Handrail	88074905
ARS	AISI-316 Exit Handrail	88074910

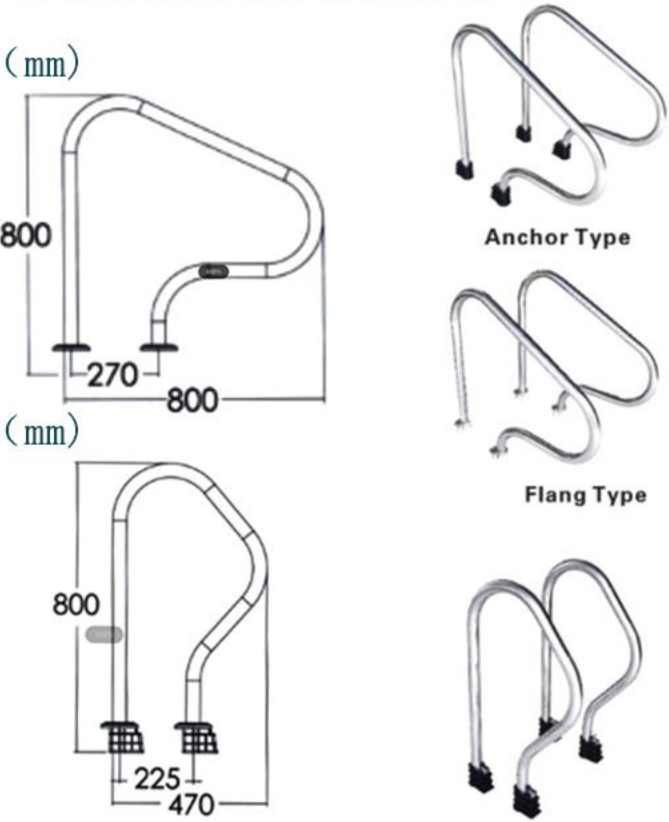


Flang Type

ModelA	Description	Code
ARS-F	AISI-304 Exit Handrail	88074805
ARS-F	AISI-316 Exit Handrail	88074810

ARP/ARV SERIES LADDER

Polished AISI-304 or AISI-316 stainless (ϕ 42mm) pipe. Both anchor and flange installations are available.

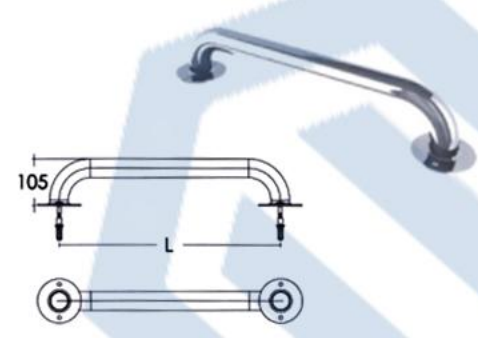


ModelA	Description	Code
ARP	AISI-304 Exit Handrail	88074505
ARP	AISI-316 Exit Handrail	88074510

ModelA	Description	Code
ARP-F	AISI-304 Exit Handrail	88073605
ARP-F	AISI-316 Exit Handrail	88073610

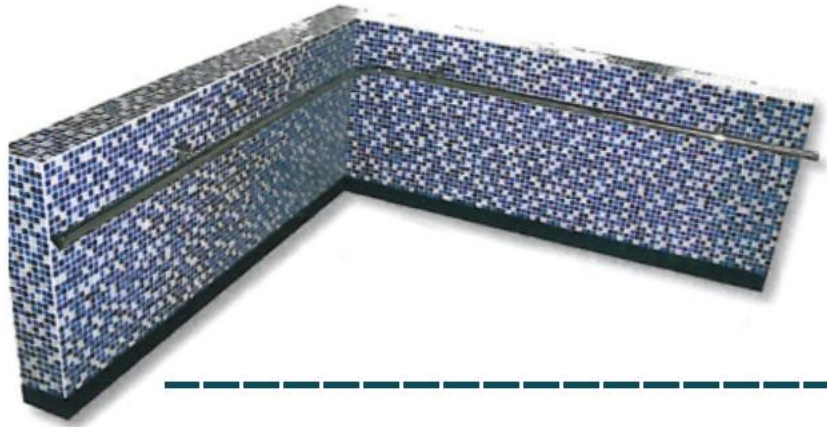
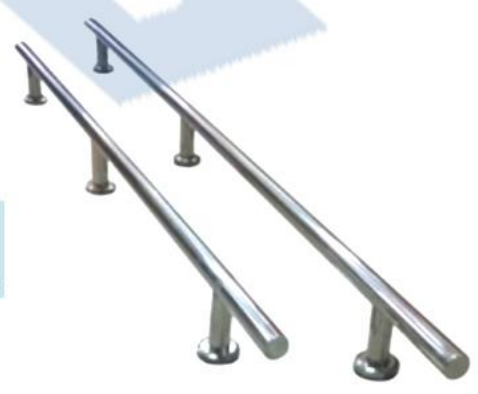
ModelA	Description	Code
ARV	AISI-304 Exit Handrail	88073105
ARV	AISI-316 Exit Handrail	88073110

STRAIGHT GRABRAIL



Code (AISI-304)	Code (AISI-316)	Model	Description
88076417	88076423	L050	500mm Straight Grabrail
88076418	88076424	L100	1000mm Straight Grabrail
88076419	88076425	L150	1500mm Straight Grabrail
88076420	88076426	L200	2000mm Straight Grabrail
88076421	88076427	L250	2500mm Straight Grabrail
88076422	88076428	L300	3000mm Straight Grabrail

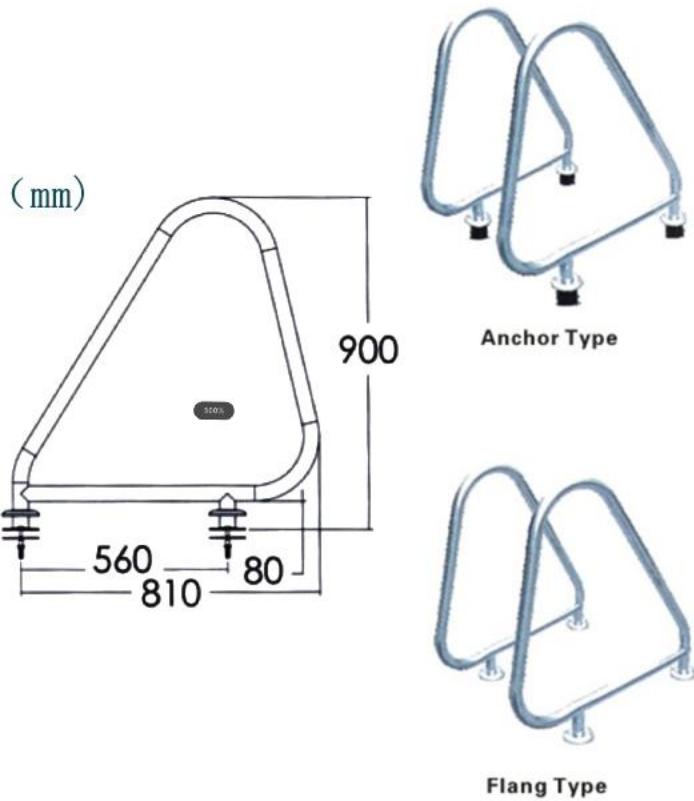
ARK



P10 Pool Ladders

ARA/ARB SERIES LADDER

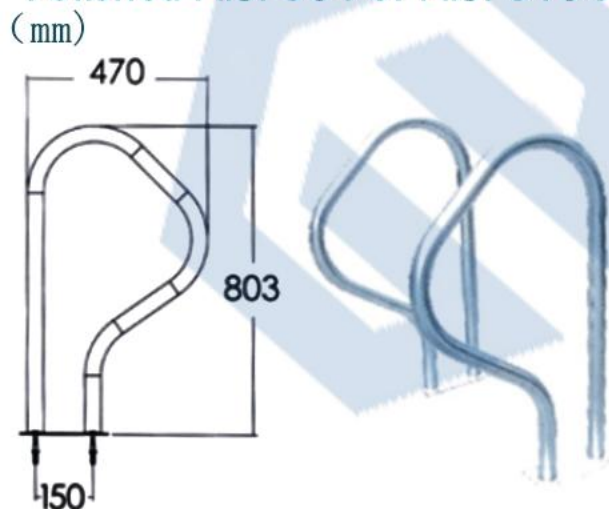
Polished AISI-304 or AISI-316 stainless ($\phi 42\text{mm}$)pipe. Both anchor and flange installations are available.



ModelA	Description	Code
ARA	AISI-304 Exit Handrail	88074505
ARA	AISI-316 Exit Handrail	88074510

ModelA	Description	Code
ARA-F	AISI-304 Exit Handrail	88074005
ARA-F	AISI-316 Exit Handrail	88074010

Polished AISI-304 or AISI-316 stainless ($\phi 42\text{mm}$)pipe



ModelA	Description	Code
ARB-F	AISI-304 Exit Handrail	88074205
ARB-F	AISI-316 Exit Handrail	88074210