

KP Series Pump

Professional Swimming
Pool Circulating Water Pump

Quality Selection of Swimming Pool Water Treatment Equipment



CE   RoHS

Pool & Spa Equipment

Product Features

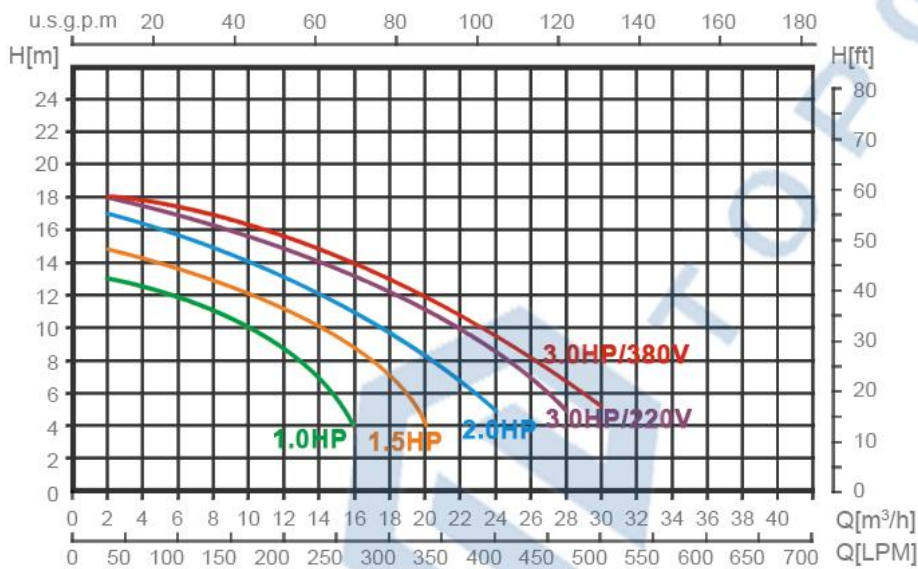
- 1) KP Series Pump is designed according to the principles of hydraulics.
- 2) The motor adopts the internal ventilation design, and the winding design is advanced.
- 3) Built-in thermal protection and Overload protection.
- 4) IPX5 Waterproof standard.
- 5) Special designed unions compatible for both imperial and metric measurement standards.
- 6) Liquids part is made of high reinforce engineering plastic which is durable.
- 7) The strainer with high capacity helps reducing the cleaning work.
- 8) Ring lock seal design eliminates suction leaks and maximizes suction efficiency.
- 9) Testing pressure 50 PSI (3.5 Bar).
- 10) Applicable to : swimming pool, industrial water, oceans pavilion, water park, etc.



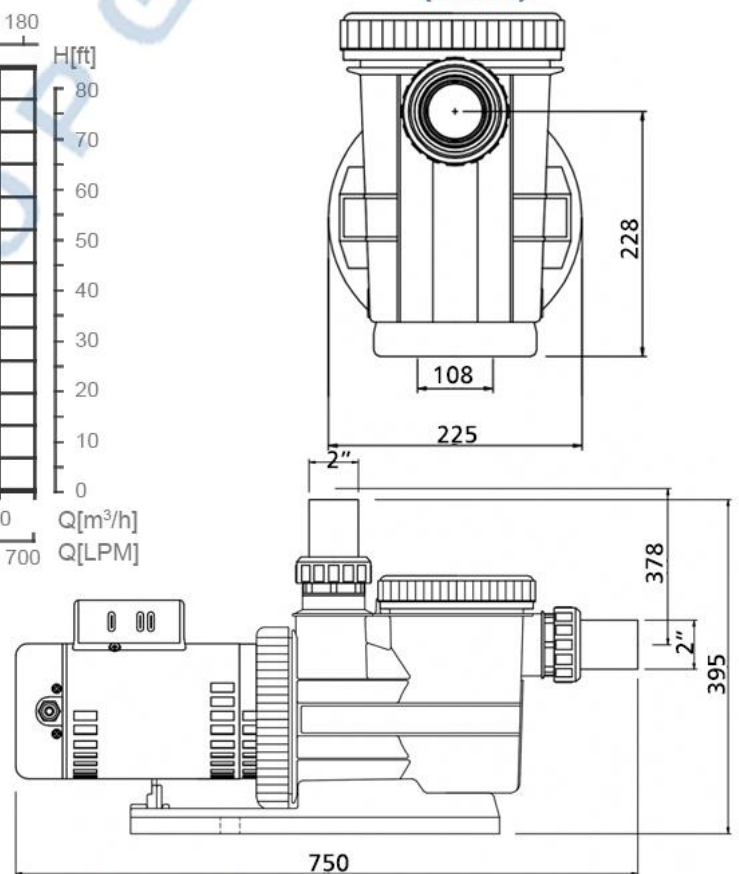
A High-Performing Self-Priming Pump



Technical Information



Product Dimensions (mm)



Model	Power (KW/HP)	Current (AMP)	Noise (dB)	RPM	Performance Parameter						
					Flow rate (m3/h)	Lift (m)	Inlet (inch)	Outlet (inch)	N.W.	G.W.	Package (mm)
KP 1005	1.0HP	4.5	65	2850	16	13	2"	2"	19	20.6	710*350*260
KP 1501	1.5HP	5.2	65	2850	20	15	2"	2"	19	20.6	710*350*260
KP 2003	2.0HP	6.7	68	2850	24	17	2"	2"	19	20.6	710*350*260
KP 3004	3.0HP	9	70	2850	28	18	2"	2"	19	20.6	710*350*260
KP 3002	3.0HP	4.7	70	2850	30	18	2"	2"	20	21.7	710*350*260